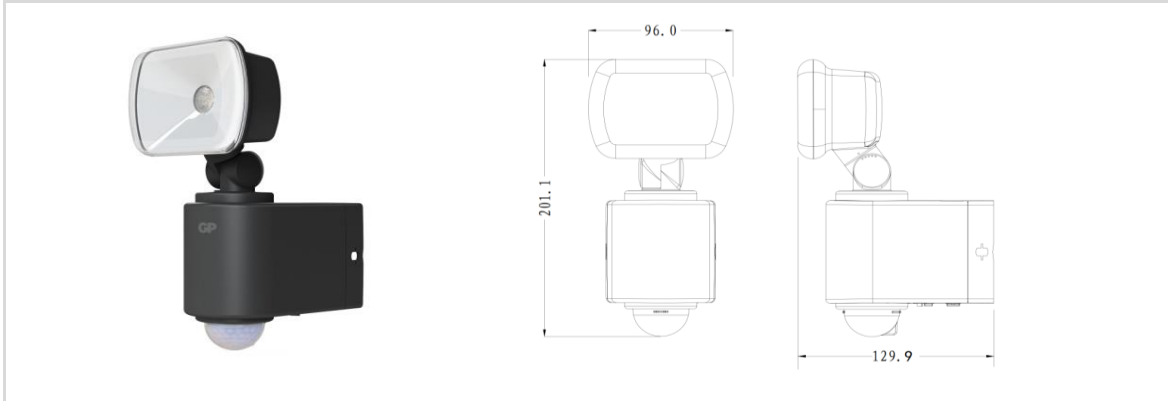


| Order code  | EAN           | Packaging - SKU          |
|-------------|---------------|--------------------------|
| 079187-LAB1 | 4895149079187 | Color Gift Box, 1 pc/SKU |



| <b>Product</b>  |   |
|---|---|
| Category  | LED cordless light  |
| Series  | SafeGuard RF3.1   |
| Description   | LED outdoor automotive motion sensor security light, one headlamp |
| <b>Electrical characteristics</b>   |   |
| Input Voltage   | 4.5VDC (3 x 1.5V C batteries)                                     |
| Operating Voltage   | 4.5V  |
| Standby Current   | < 100µA   |
| Lamp current  | 350mA   |
| Battery Operation   | 600 days* (Based on 5 operation per day in Auto Mode)             |
| <b>Lighting characteristics</b>   |   |
| CCT   | 4500K-5500K   |
| luminous flux / Intensity   | ≥ 130 lm  |
| LED Type  | 1 x SMD LED   |
| Light modes   | OFF / ON / AUTO   |
| Light duration in auto mode   | 10 s ±3 s   |
| <b>Sensors characteristics</b>  |   |
| Sensor  | Photo sensors & PIR Sensors                                       |
| Sensor Detection Range  | 8M, 110°  |
| Lux Detection Frequency   | 3 sec per detection, 1 sec between detection                      |
| Trigger Lux Value   | 0-35 Lux Adjustable   |
| <b>Physical Characteristics</b>   |   |
| Operating Temperature   | -20°C to 50°C   |
| Storage Temperature   | -20°C to 50°C   |
| Dimension   | 96.0 (L) x 201.1 (H) x 129.9 (D) mm                               |
| Weight  | 276 g   |
| Housing Material  | PC  |
| IP Rating   | IP55  |
| <b>Product Compliance</b>   |   |
|   | CE, RoHS  |
| <b>Warranty</b>   |   |
|   | 12 months from ex-factory date                                    |
| * Based on new alkaline batteries. Do not mix new and old batteries at the same time. |   |